

PROJECT NAME: _____ LOCATION: _____

ITEM: _____ MODEL: _____

Sandwich and Salad Units



FEATURES LIST

CST-28-HC, CST-48-HC, CST-60-HC, CST-72-HC

- Solid state thermostat with digital display
- Full-length poly-vinyl cutting board included
- Stainless steel front & sides
- Self closing doors remain open past 90°
- Environmentally friendly R290
- EZ slide out condenser
- Whisper quiet
- Solid construction
- Full length integrated door handle
- Casters with two front brakes
- Cool air intake
- 2" clearance back and sides

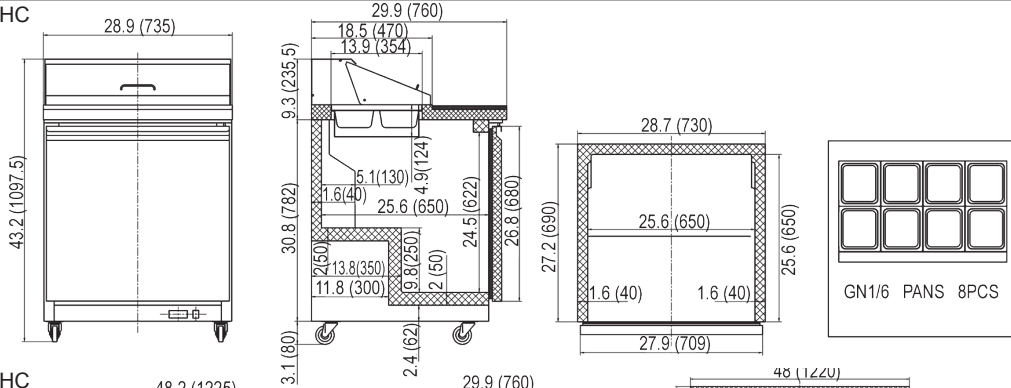
*Not suitable for installation in a non-commercial or residential applications.

Items	Description	Items	Description
Front, top & sides	Stainless steel	Temperature control	Solid state thermostat/Digital display
Doors	Stainless steel / ABS liner	Approvals	ETL & ETL Sanitation Listed
External back	Aluminum	Refrigerating system	Capillary tube
Cabinet interior	ABS	Refrigerant	R290
Interior floor	Stainless steel	Temperature range	34-38F
Insulation	Polyurethane (CFC free)	Evaporator	Powder coated aluminum/copper
Shelves	Heavy duty, PVC coating	Condensing unit	Rear mounted
Cutting board	Vinyl (included)		

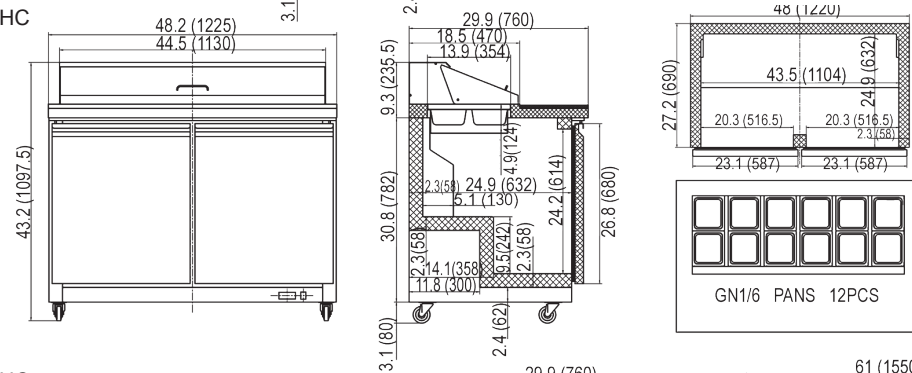
As continued product improvement is a policy, specifications are subject to change without notice

PLAN VIEW

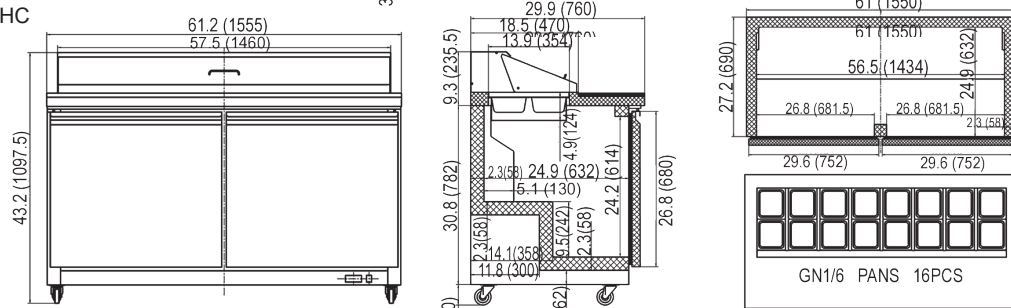
CST-28-HC



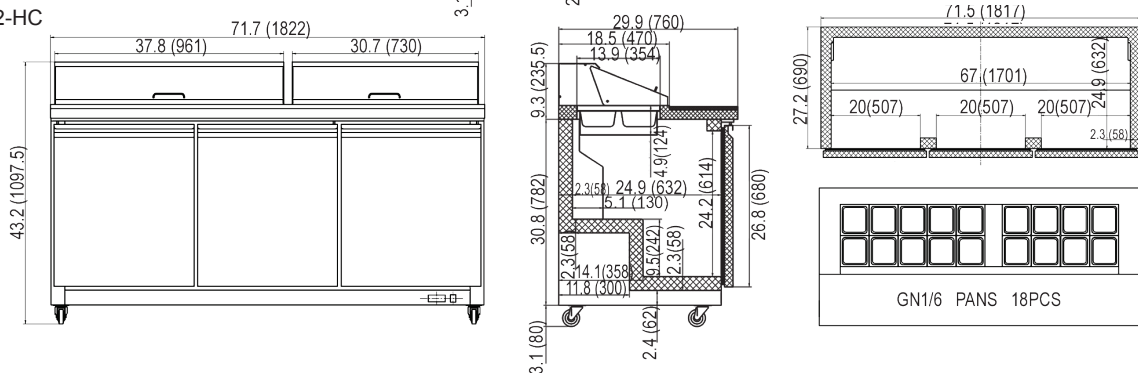
CST-48-HC



CST-60-HC



CST-72-HC



Model	Doors	Shelves	Pans	Cabinet Dim (inches)			HP	Voltage	Amps	BTU	NEMA Plug	Cord Length	Crated Weight
				L	D	H							
CST-28-HC	1	1	8 (1/6)	28.9	31.0	43.3	1/3	115/60/1	3.0	843	5-15P	10	276
CST-48-HC	2	2	12 (1/6)	48.2	31.0	43.3	1/2	115/60/1	4.3	1365	5-15P	10	313
CST-60-HC	2	2	16 (1/6)	61.2	31.0	43.3	1/2	115/60/1	4.3	1365	5-15P	10	362
CST-72-HC	3	6	18 (1/6)	71.1	29.9	43.2	1/2	115/60/1	4.3	1365	5-15P	10	408