

PROJECT NAME: _____ LOCATION: _____

ITEM: _____ MODEL: _____



Model **CIB400**

400 Lb. Ice Storage Bin

The CIB400 is a durable ice storage bin that holds up to 430 pounds of ice. A foamed in place insulation design paired with a poly liner results in long-lasting ice. The ice bin features all stainless steel construction and an easily accessible hinged door.

FEATURE LIST

Model:	CIB400
Description:	400lb Ice Storage Bin
Unit Dimensions:	30" W x 31 1/2" D x 40" H 762mm W x 800mm D x 1016mm H
Shipping Weight:	163 lb / 74 kg
Shipping Dimensions:	32" W x 33" D x 36" H 813mm W x 838mm D x 914mm H

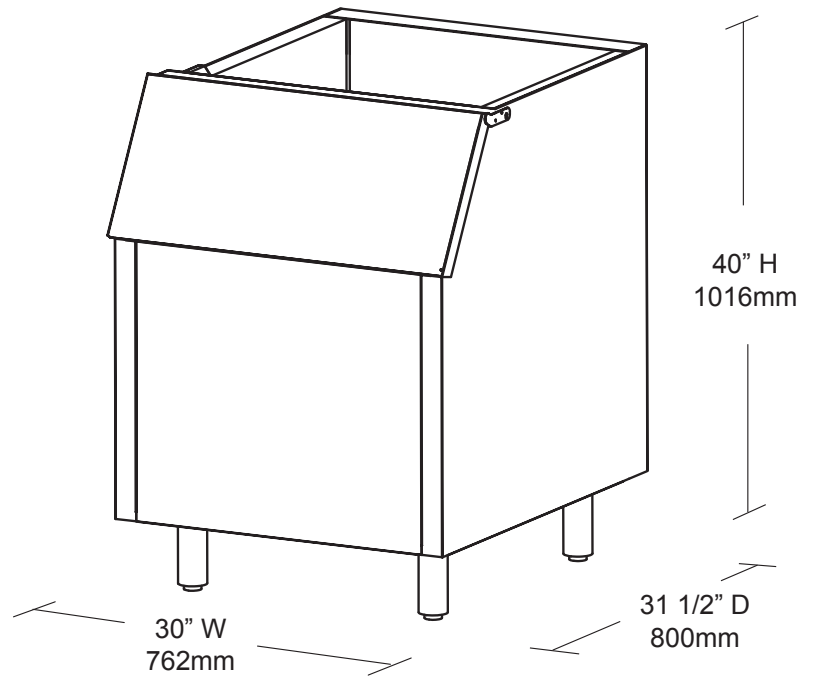
Specifications subject to change without notice.

Approvals: NSF



PLAN VIEW

- Stores up to 430lb (195 kg) of ice
- Poly liner for increased insulation
- Stainless steel exterior
- 6" Adjustable stainless steel legs
- CFC Free foamed in place insulation
- Easily accessible stainless steel door
- Designed for commercial use
- For use with modular ice makers
- Requires use of a drain



DIMENSIONAL DATA

Model	Description	Weight	Dimensions
CIB400	400lb Ice Storage Bin	163 lb / 74 kg	30" W x 31 1/2" D x 40" H 762mm W x 800mm D x 1016mm H